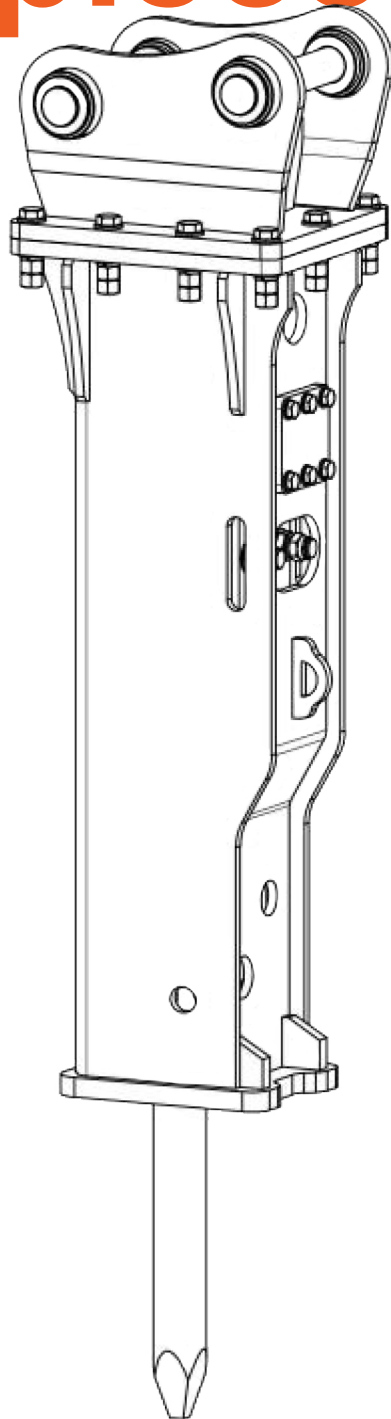
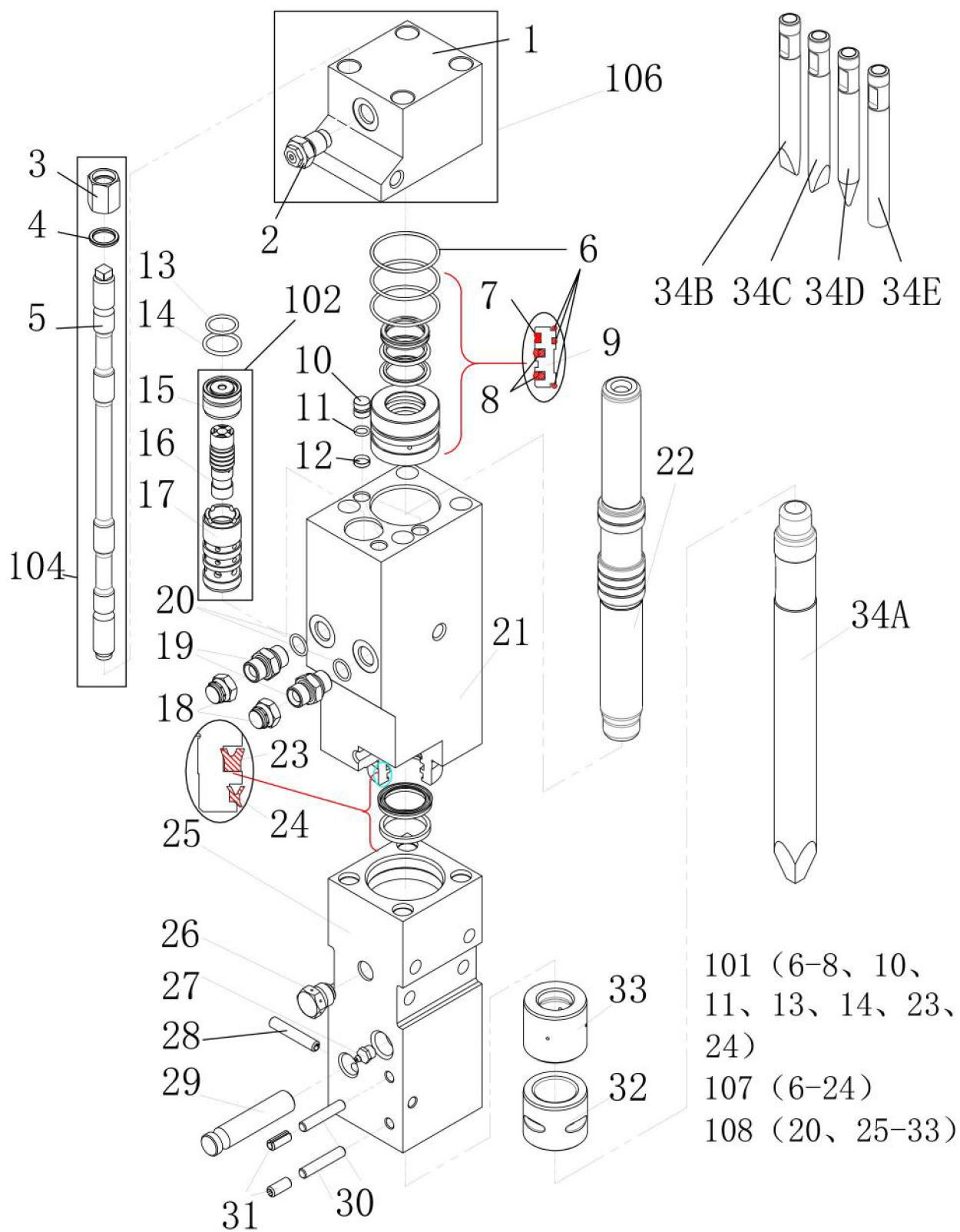


Catalogue de pièces



XRB40

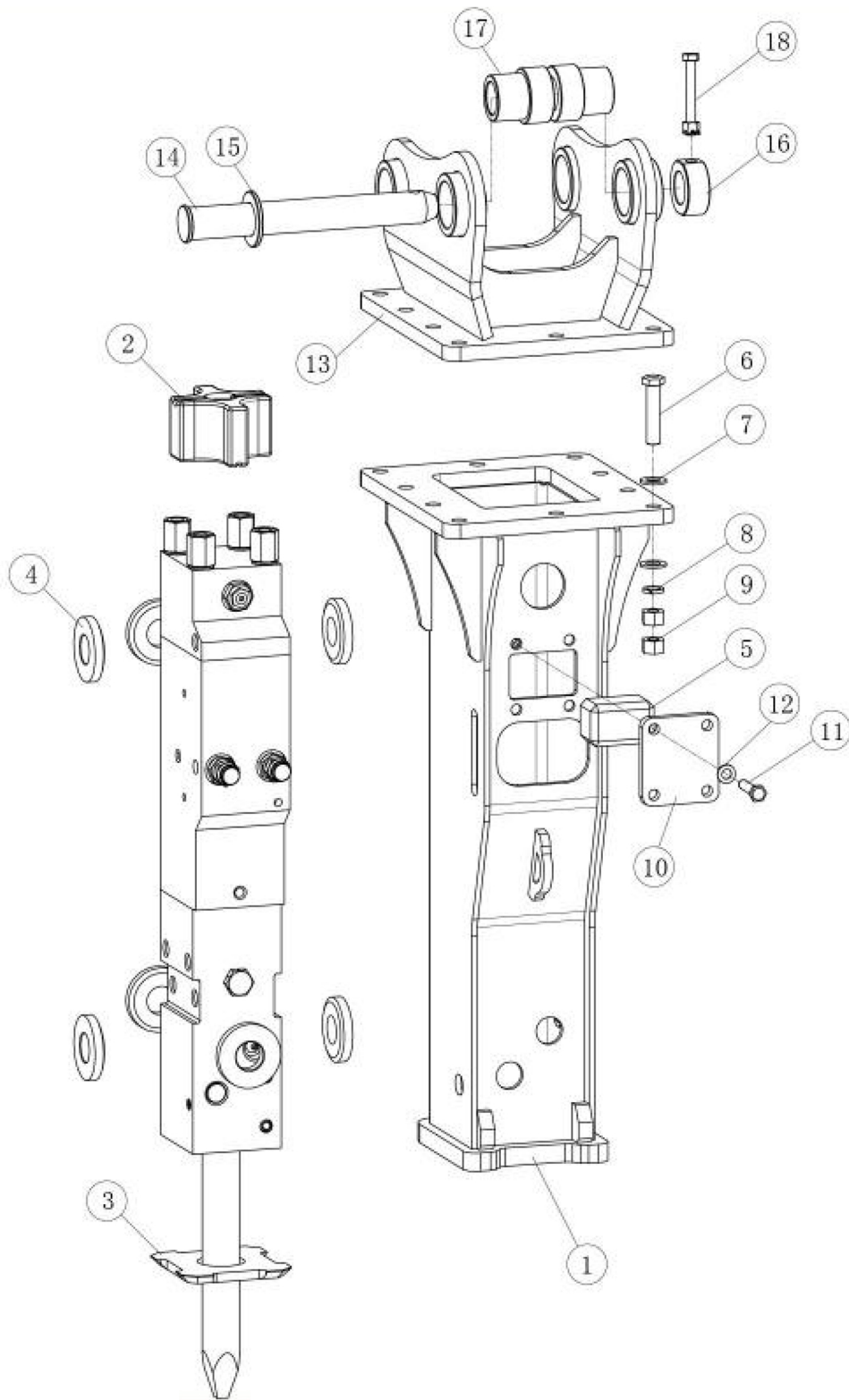


101-1001

XRB40

NO.	PART NO.	PARTNAME	Q'TY
1	00100BH-X2	Back Head	1
2	BHCVBF08	B/H Charging Valve	1
3	00100TBHN	Through Boit Hex. Nut	4
4	00100TBW	Through Boit Washer	4
5	00100TB	Through Boit	4
6	SBG060	O Ring	4
7	SCG037	Gas Seal	1
8	SCS037	Step Seal	2
9	00100SR-A	Seal Retainer	1
10	00100PB	Plug Bush	3
11	SBP011	ORing	3
12	00100CP	Cover Plate	3
13	SBG025	O Ring	1
14	SBP030	ORing	1
15	00100VC	Valve Cap	1
16	00100V	Valve	1
17	00100VS	Valve Sleeve	1
18	ACFBF08	Adapter Cap	2
19	SABFF08	Screwed Adapter	2
20	SBP018	ORing	2
21	00100CY	Cylinder	1
22	00100P	Piston	1
23	SCUP40	U-Packing	1
24	SCD40	Oust Seal	1
25	00100FH-X2	Front Head	1
26	ACVBF0B-2	Air Check Valve	1
27	GNBT04	Grease Nipple	1
28	SP1060	Spring Pin	1
29	00100RP	Rod Pin	1
30	00100SP-X1	Stop Pin	2
31	SP1335	Spring Pin	2
32	00100FC-X1	Front Cover	1
33	00100RB-X1	Ring Bush	1
34A	00100T-M-X1	Tool-M Type	1
34B	00100T-V-X1	Tool-V Type	1
34C	00100T-H-X1	Tool-H Type	1
34D	00100T-C-X1	Tool-C Type	1
34E	00100T-B-X1	Tool-B Type	1
101	00100S-SR-A	Seal Kit	1
102	00100V-AY	Valve Assy	1
104	00100TB-AY	Through Boit Assy	4
105	00100TLB-TS	Toolbox	1
106	00100BH-X2-AY	Back Head Assy	1
107	00100CY-AY	Cylinder Assy	1
108	00100FH-X2-AY	Front Head Assy	1

XRB40



101-1002

XRB40

NO.	PARTNO.	PARTNAME	Q'TY
1	00100F-B20	Frame	1
2	00100CRD	Cross Damper	1
3	00100BLD	Below Damper	1
4	00100SDA	Side Damper A	7
5	00100SOB	Side Damper B	1
6	HBM1465	Hex.Bolt	10
7	W14	Washer	20
8	SW14	Spring Washer	10
9	HNM20	Hex.Nut	20
10	00100CV	Cover Plate	1
11	HBM1030	Hex.Bolt	4
12	W10	Washer	4
13	00100MC-B	Mount Cap	1
14	00100MP	Mount Pin	2
15	00100MPR	Mount Pin Ring	2
16	00100MPS	Mount Pin Stopper	2
17	00100MPB	Mount Pin Bush	4
18	HBWH-AY	Hex.Bolt Wrth Hole	2