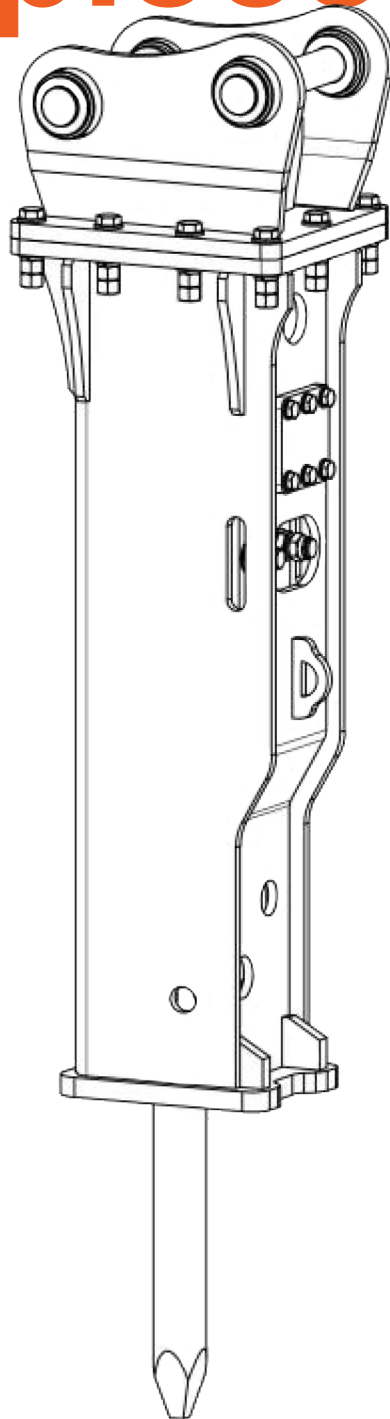
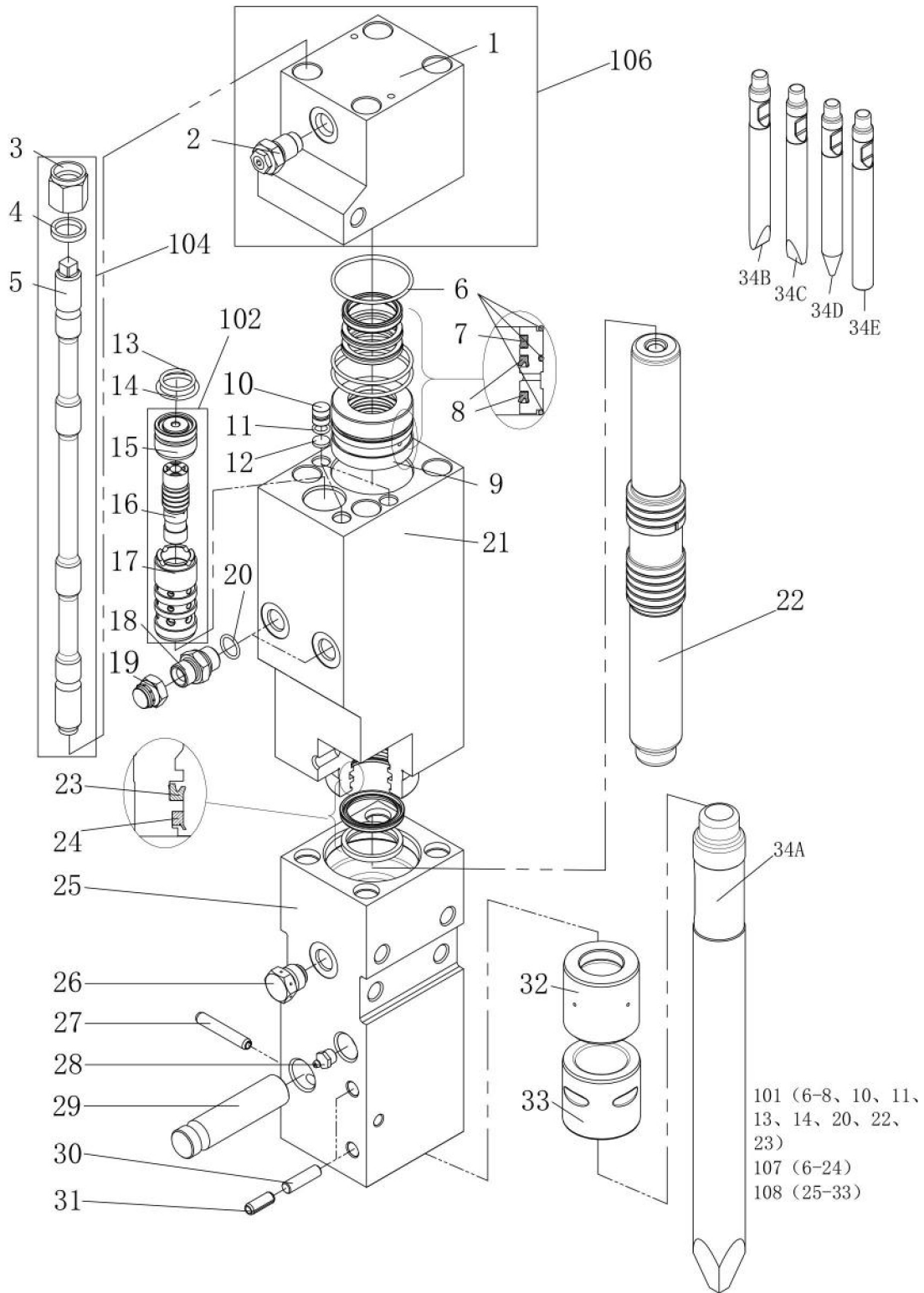


# Catalogue de pièces



# XRB45

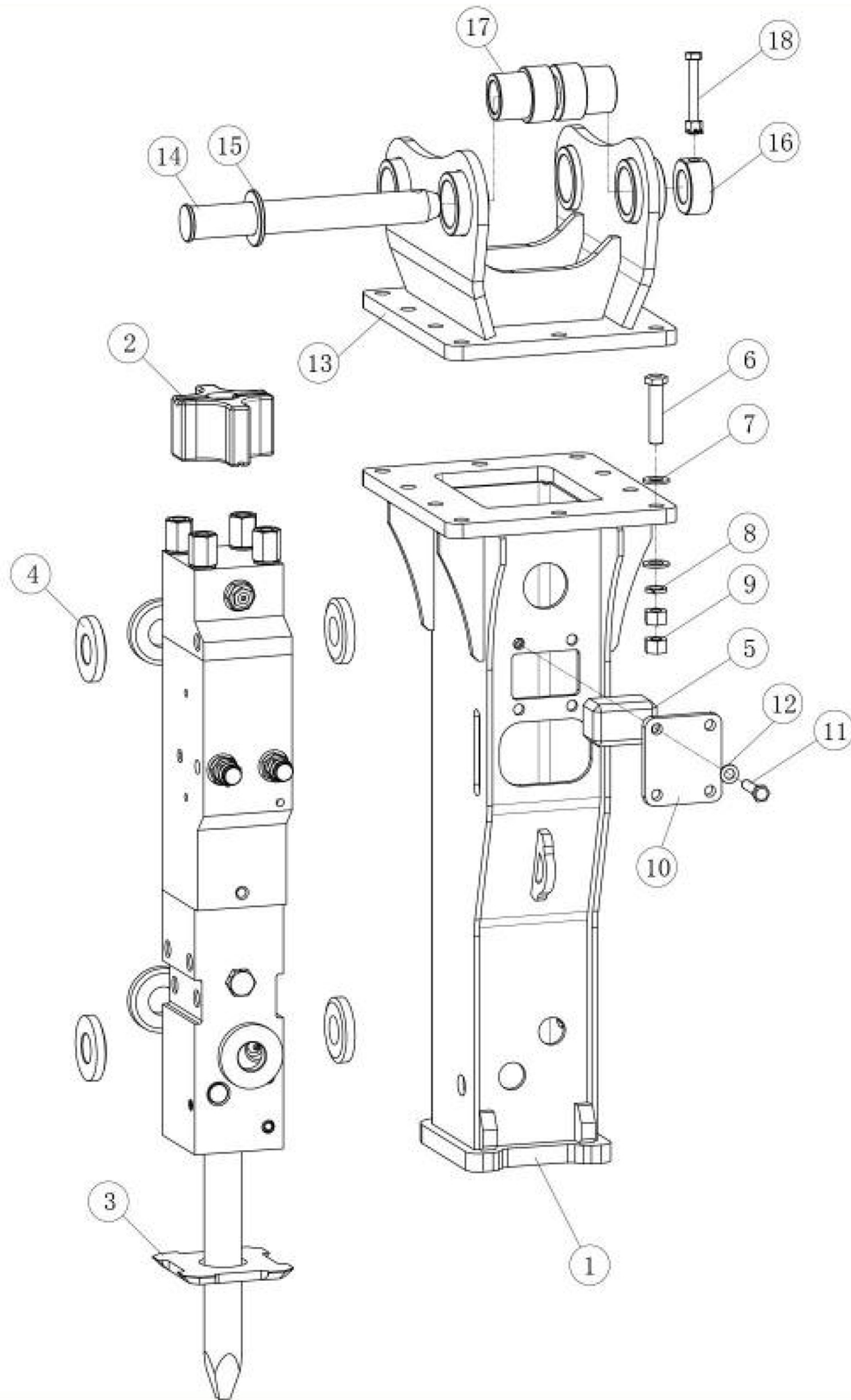


101-1003

# XRB45

NO.	PART NO.	PARTNAME	Q'TY
1	00200BH-X2	Back Head	1
2	BHCVBF0B	B/H Charging Valve	1
3	00200TBHN	Through Boit Hex. Nut	4
4	00200TBW	Through Boit Washer	4
5	00200TB	Through Boit	4
6	SBG065	ORing	4
7	SCG042	Gas Seal	1
8	SCUP042	U-Packing	2
9	00200SR-A	Seal Retainer	1
10	00100PB	Plug Bush	3
11	SBP011	ORing	3
12	00200CP	Cover Plate	1
13	SBG025	ORing	1
14	SBP030	ORing	1
15	00100VC	Valve Cap	1
16	00100V	Valve	1
17	00100VS	Valve Sleeve	1
18	SABFF0B	Screwed Adapter	2
19	ACFBF08	Adapter Cap	2
20	SBP018	ORing	2
21	00200CY	Cylinder	1
22	00200P-X	Piston	1
23	SCUP045	U-Packing	1
24	SCD045	Oust Seal	1
25	00200FH-X2	Front Head	1
26	ACVBF08-2	Air Check Valve	1
27	SP1060	Spring Pin	1
28	GNBT04	Grease Nipple	1
29	00200RP	Rod Pin	1
30	00100SP-X1	Stop Pin	2
31	SP1335	Spring Pin	2
32	00200RB-X1	Ring Bush	1
33	00200FC-X1	Front Cover	1
34A	00200T-M-X1	Tool-M Type	1
34B	00200T-V-X1	Tool-V Type	1
34C	00200T-H-X1	Tool-H Type	1
34D	00200T-C-X1	Tool-C Type	1
34E	00200T-B-X1	Tool-B Type	1
101	00200S-SR-A	Seal Kit	1
102	00100V-AY	Valve Assy	1
104	00200TB-AY	Through Boit Assy	4
105	00200TLB-TS	Toolbox	1
106	00200BH-X2-AY	Back Head Assy	1
107	00200CY-AY	Cylinder Assy	1
108	00200FH-X2-AY	Front Head Assy	1

# XRB45



101-1004

# XRB45

NO.	PART NO.	PARTNAME	Q'TY
1	00200F-B20	Frame	1
2	00200CRD	Cross Damper	1
3	00200BLD	Below Damper	1
4	00200SDA	Side Damper A	7
5	00200SOB	Side Damper B	1
6	HBM1465	Hex.Bolt	10
7	W14	Washer	20
8	SW14	Spring Washer	10
9	HNM20	Hex.Nut	20
10	00200CV	Cover Plate	1
11	HBM1030	Hex.Bolt	6
12	W10	Washer	6
13	00200MC-B	Mount Cap	1
14	00200MP	Mount Pin	2
15	00200MPR	Mount Pin Ring	2
16	00200MPS	Mount Pin Stopper	2
17	00200MPB	Mount Pin Bush	4
18	HBWH-AY	Hex.Bolt WrthHoleAssy	2