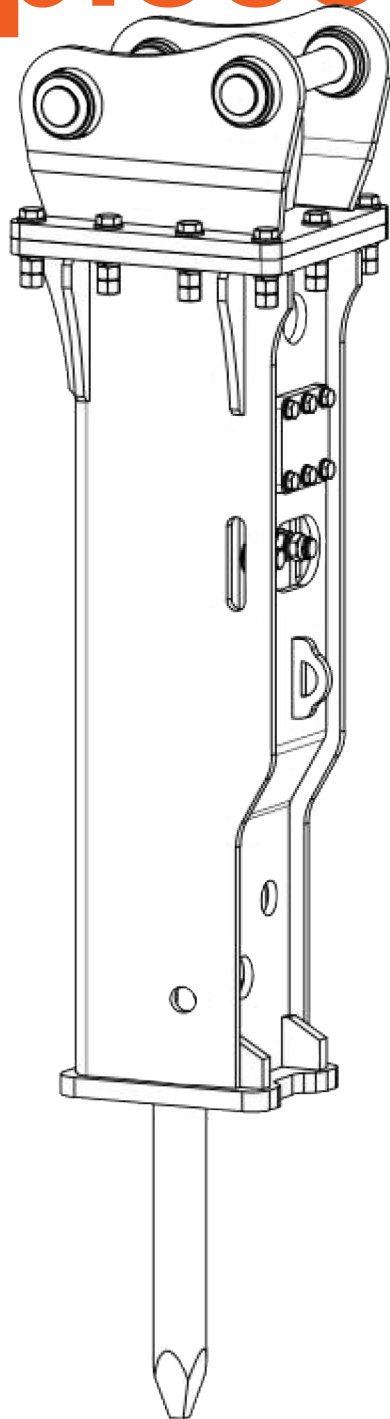
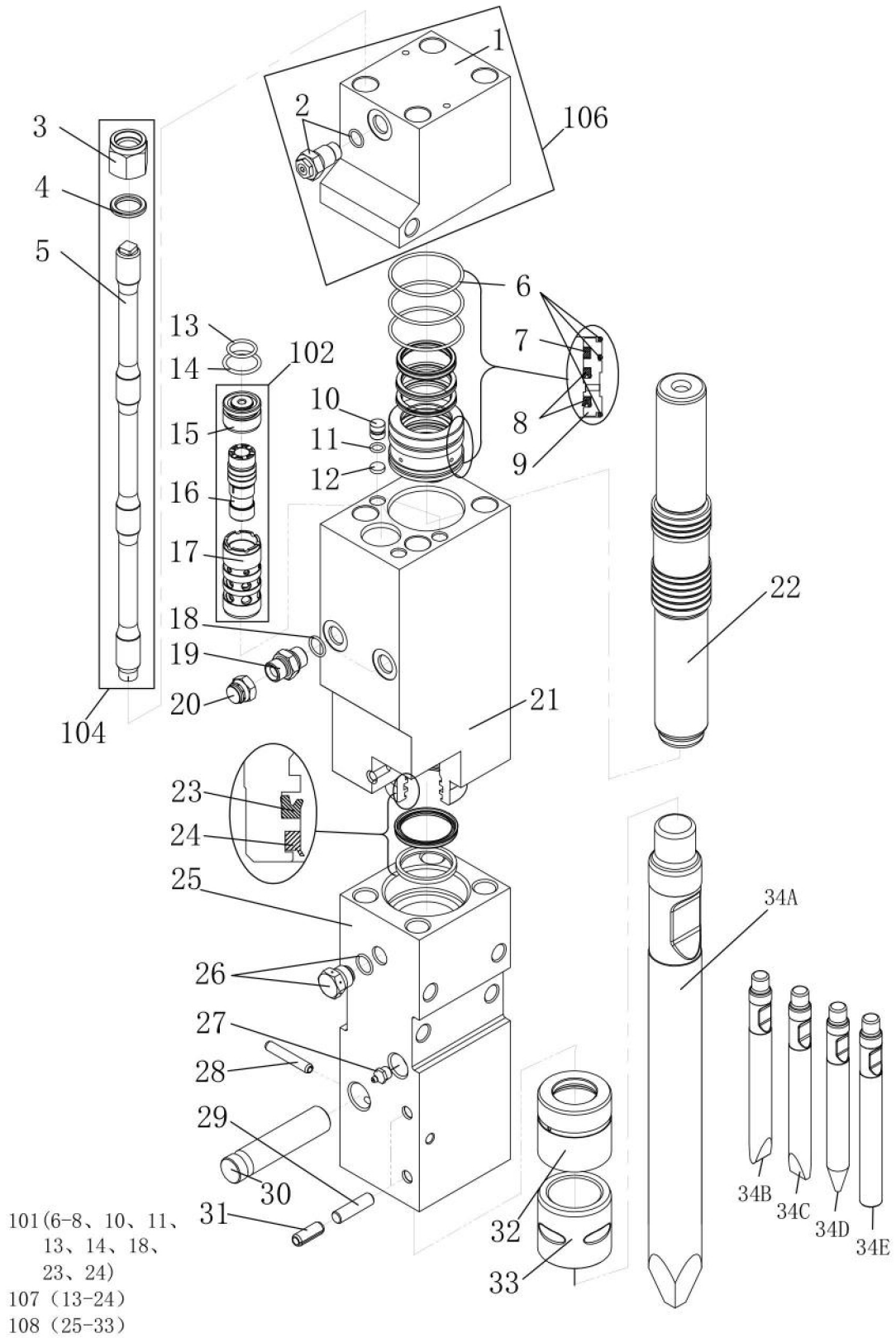


Catalogue de pièces



XRB53

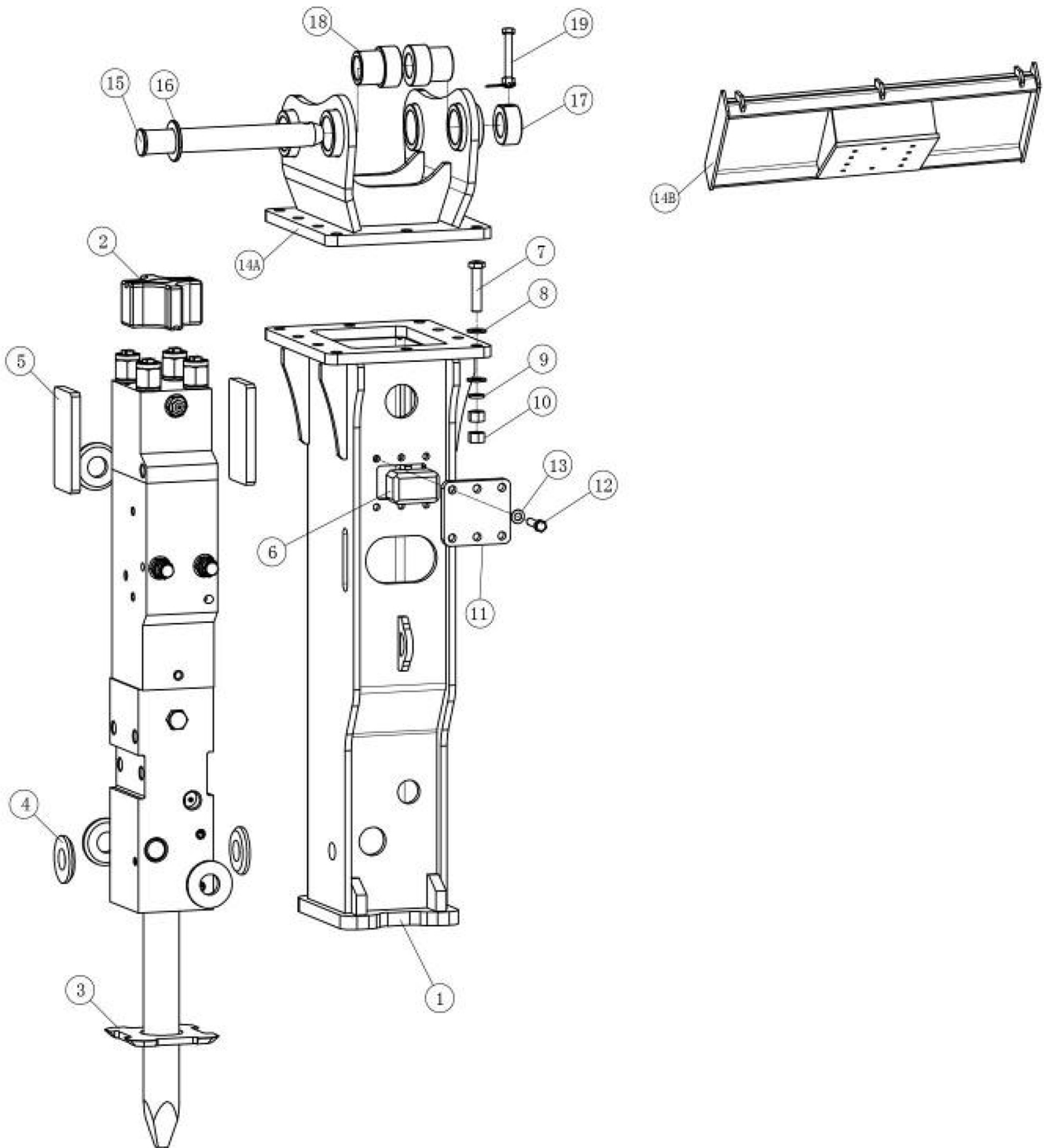


101-1005

XRB53

NO.	PART NO.	PARTNAME	Q'TY
1	00300BH	Back Head	1
2	BHCVBF08	B/H Charging Valve	1
3	00300TBHN	Through Boit Hex. Nul	4
4	00300TBW	Through Boit Washer	4
5	00300TB	Through Boit	4
6	SBG070	O Ring	4
7	SCG050	Gas Seal	1
8	SCUP050	U-Packing	2
9	00300SR-A1	Sea! Retainer	1
10	00100PB	Plug Bush	3
11	SBP011	O Ring	3
12	00100CP	Cover Plate	3
13	SBG025	O Ring	1
14	SBP032	O Ring	1
15	00300VC	Valve Cap	1
16	00300V	Valve	1
17	00300VS	Valve Sleeve	1
18	SBP018	O Ring	2
19	SABFF08	Screwed Adapter	2
20	ACBF0B	Adapter Cap	2
21	00300CY	Cylinder	1
22	00300P	Piston	1
23	SCUP053	U-Packing	1
24	SCD053	Oust Seal	1
25	00300FH-X1	Front Head	1
26	ACVBF0B-2	Air Check Valve	1
27	GNBT04	Grease Nipple	1
28	SP1060	Spring Pin	1
29	00100SP-X1	Stop Pin	2
30	00300RP-X1	Rod Pin	1
31	SP1335	Spring Pin	2
32	00300RB-X1	Ring Bush	1
33	00300FC-X1	Front Cover	1
34A	00300T-M-X1	Tool-M Type	1
34B	00300T-V-X1	Tool-VType	1
34C	00300T-H-X1	Tool-H Type	1
34D	00300T-C-X1	Tool-C Type	1
34E	00300T-B-X1	Tool-B Type	1
101	00300S-SR-A1	Sea! Kit	1
102	00300V-AY	Valve Assy	1
104	00300TB-AY	Through Boit Assy	4
105	00300TLB-ST	Tool Box Assy	1
106	00300BH-AY	Back Head Assy	1
107	00300CY-AY	Cylinder Assy	1
108	00300FH-X1-AY	Front Head Assy	1

XRB53



101-1006

XRB53

NO.	PART NO.	PARTNAME	Q'TY
1	00300F-B20	Frame	1
2	00300CRD	Cross Damper	1
3	00300BLD	Below Damper	1
4	00300SDA	Side Damper A	5
5	00300SOB	Side Damper B	2
6	00300SDC	Side Damper C	1
7	HBM1465	Hex.Bolt	10
8	W14	Washer	20
9	SW14	Spring Washer	10
10	HNM20	Hex.Nut	20
11	00300CV	CoverP1ate	1
12	HBM1030	Hex.Bolt	6
13	W10	Washer	6
14A	00300MC-B	Mount Cap	1
14B	00300MPL-SSL	SSL MOUNT PLATE	1
15	003000MP	Mount Pin	2
16	00300MPR	Mount Pin Ring	2
17	00300MPS	Mount Pin Stopper	2
18	00300MPB	Mount PinBush	4
19	HBWH-AY	Hex. Boll WrthHoleAssy	2